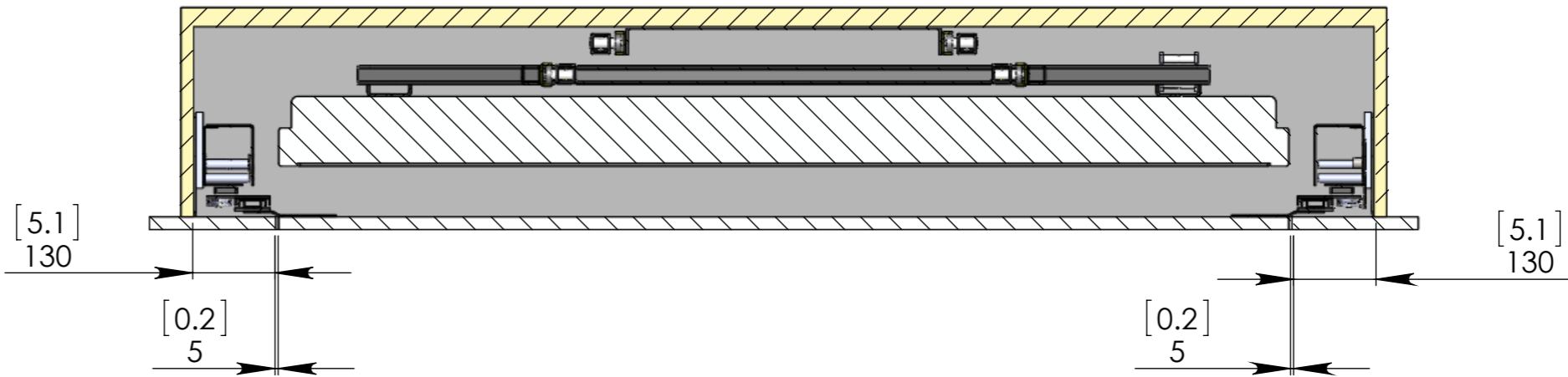
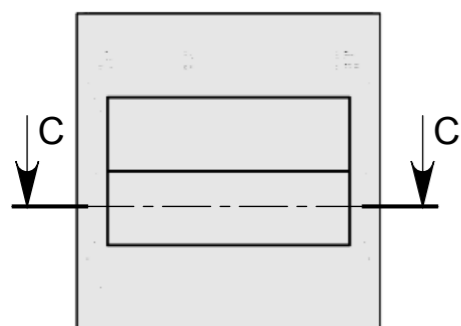
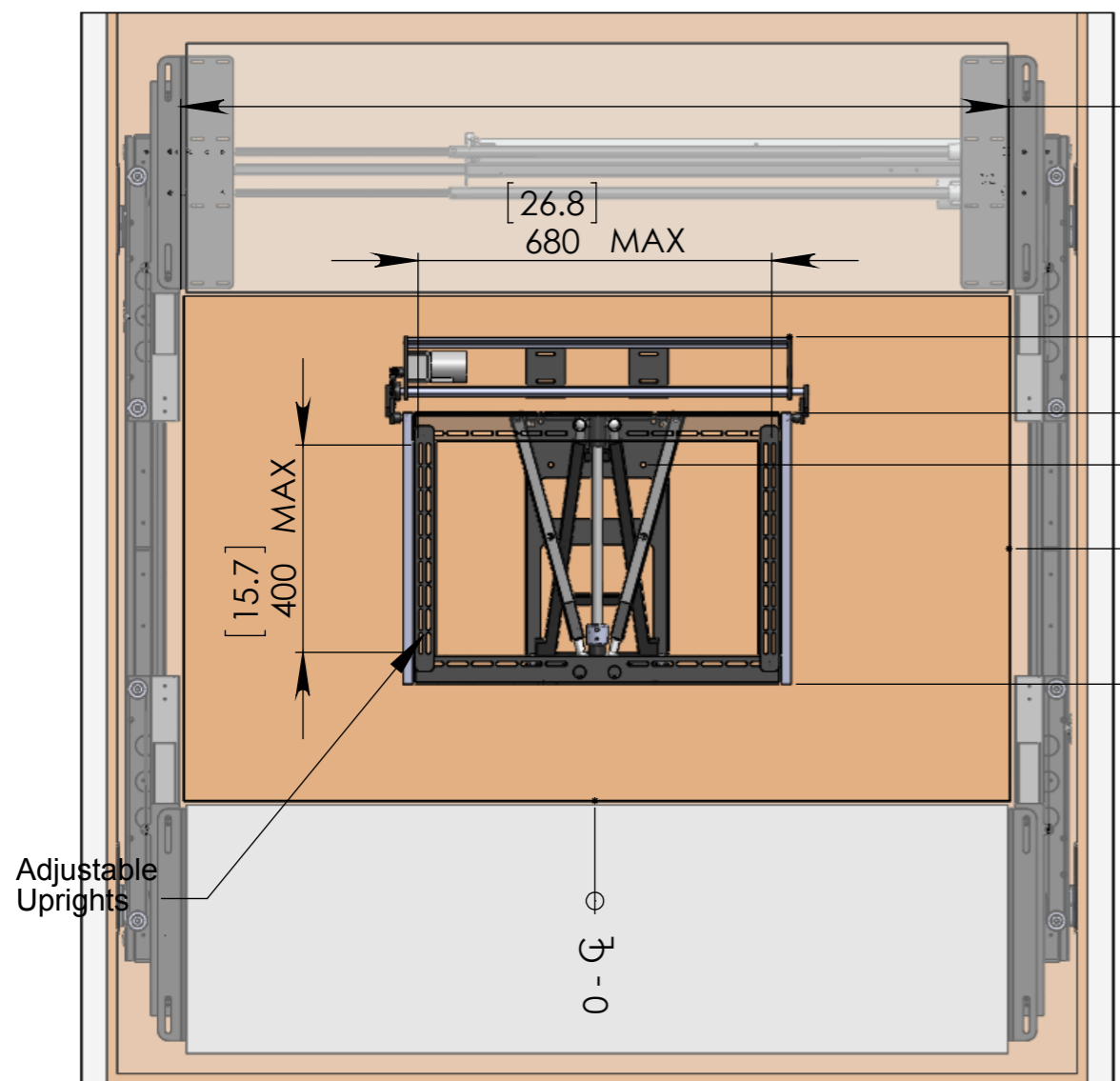


SPS1600V-SPLIT+SA

SECTION C-C SCALE 1 : 10



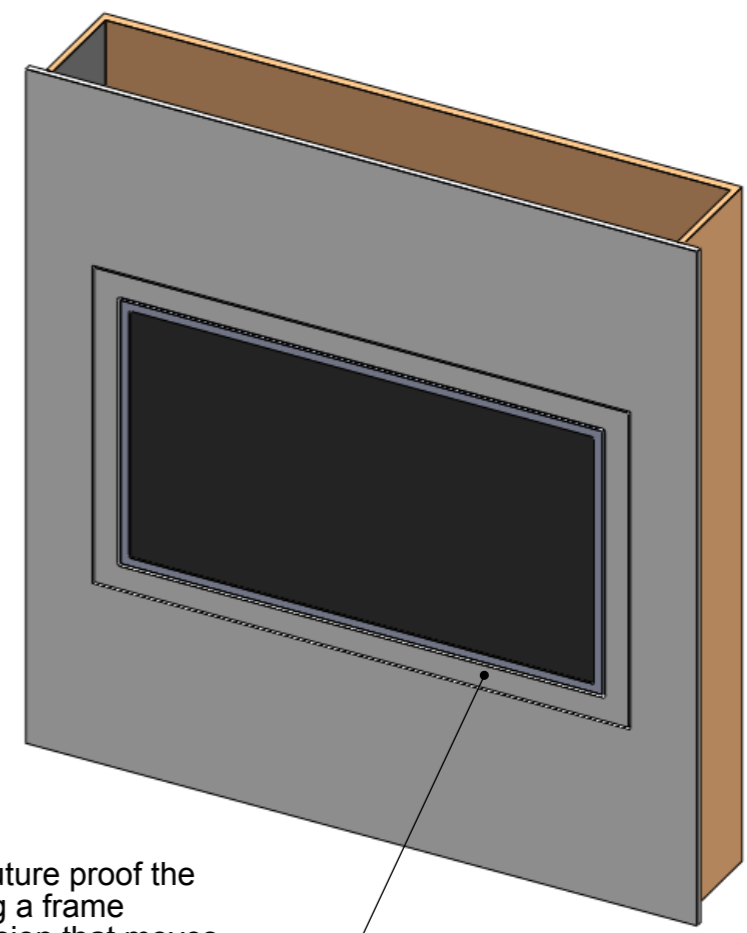
OPENING WIDTH IS
SCREEN WIDTH
+ 10MM [0.4]



- [16.2] 412
- [10.4] 264
- [6.4] 163
- 0 - \varnothing OPENING
- 263

The Screen Advance bracket can accommodate a screen bolt pattern up to: 680mm [26.8] wide by 400mm [15.7] high. Up to M8 diameter fixings.

The bracket sits centrally in the panel opening.



It is possible to future proof the system by putting a frame around the television that moves with the television. This makes a screen change easier in the future. Speak to our design team about making a suitable frame and adding it to the mechanism.

SPS Essential Access

- The SPS mechanism requires some thought to the cabinet design to make sure the mechanism elements are all easily accessible for fixing in place and for making adjustments. Poorly designed cabinets will result in a lot of wasted time during installation and setting up.
- Poor access can result in compromises being made on panel alignment and effect the quality of the installation.
- There are many styles of panel work that lend themselves to this mechanism, but ultimately all surrounding front panel work should be removable to aid in fitting of the different mechanism elements. (1)
- Image 2 shows the best system, where different panels are removable to get access at different stages of the installation and set up.
- In image 3 the upper panel is removed to get access to install the Panel Drive part of this mechanism.
- (4) With the upper panel in place, good access is still possible to the Moving panel mounting plates with the side doors. These access doors enable the main moving panel to be finely adjusted.
- A control box is supplied on a 3m [10'] flying lead. This must be fitted in an easily accessible location. This will be the first item to be checked if the mechanism stops working. Infrared, contact closure and power connections are all made here.

